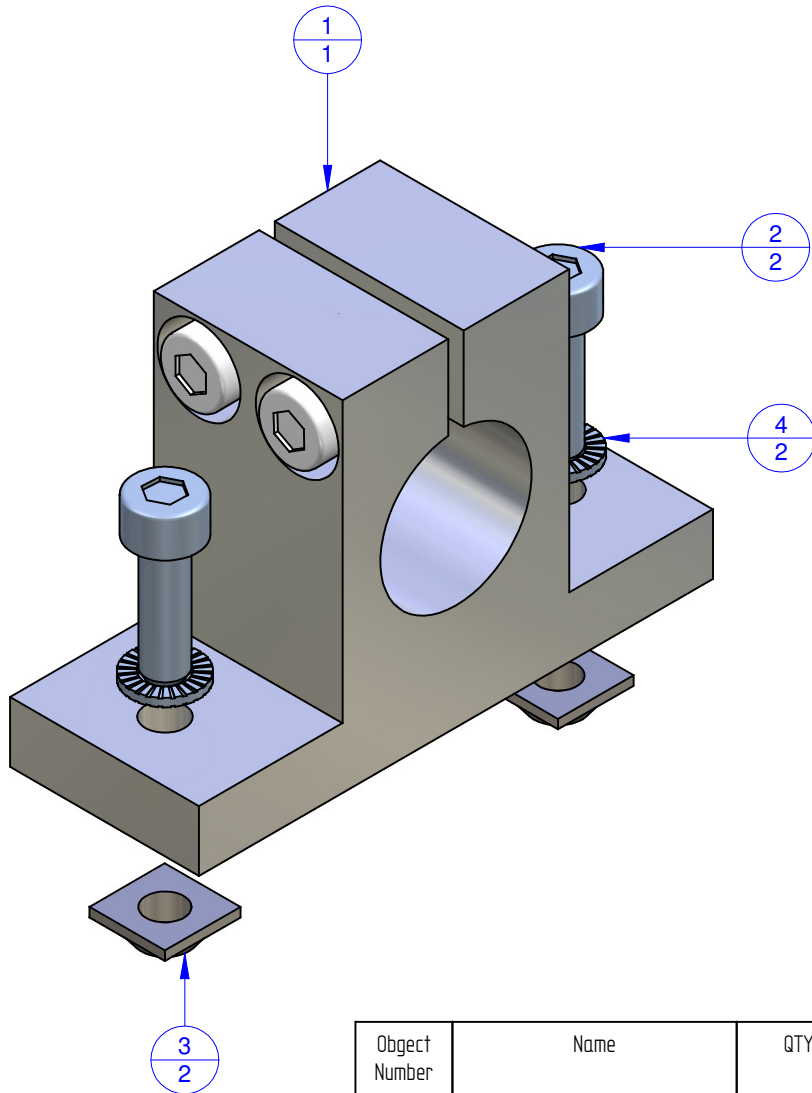
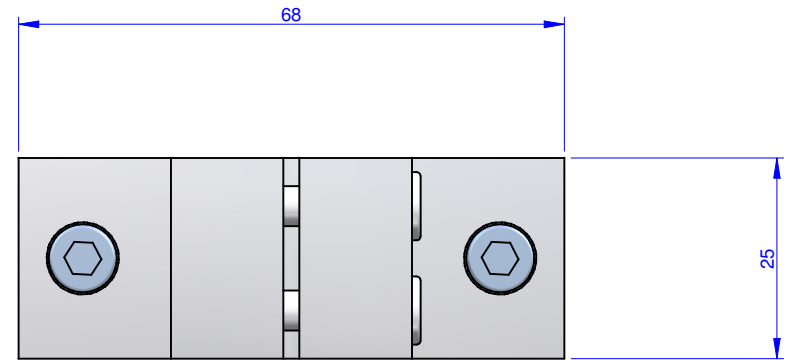
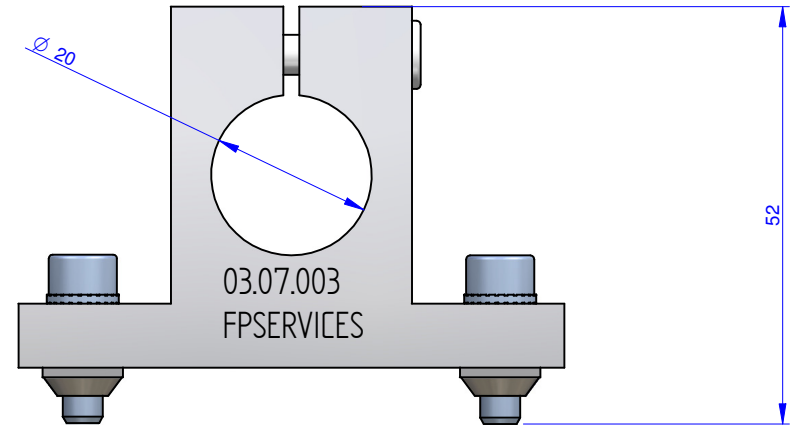


THE PROPERTY OF THIS DRAWING IS ESTABLISHED BY LAW
IT IS FORBIDDEN TO REPRODUCE IT OR SHOW IT TO THIRD PARTY
WITHOUT A WRITTEN AGREEMENT.



Object Number	Name	QTY
1	CA.03.07.003	1
2	V.TCE5X16	2
3	CA.02.05.007	2
4	R.5.SCH	2



MODIFICATIONS: _____
 (7) _____
 (8) _____
 (9) _____
 VARIED DIMENSIONS AS OF DATE: _____
 (10) _____
 (11) _____
 (12) _____

MODIFICATIONS: _____
 (1) _____
 (2) _____
 (3) _____
 VARIED DIMENSIONS AS OF DATE: _____
 (4) _____
 (5) _____
 (6) _____

Format **A3**
 UNI 936-76

FP Services			DESIGNED FROM FPSERVICES
GENERAL TOLERANCE: UNI - ISO 2768 CLASSE f		DESCRIPTION	DATE 12/2014
			WEIGHT 0,107 kg
			CODE CA.03.07.003.5

